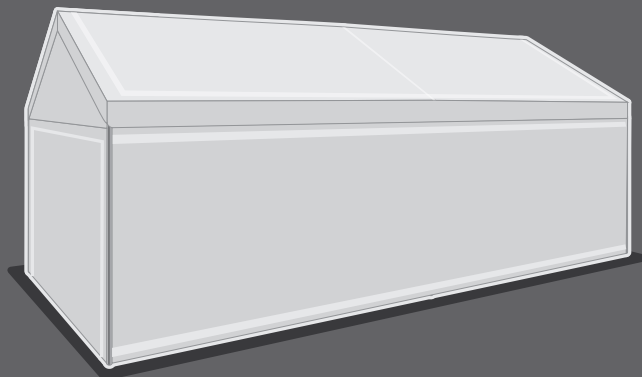


## WARNING

Use caution during installation. The user assumes all risk of injury during setup and use. Please follow the following safety precautions to avoid injury.

1. Never set-up or continue to use the product in rainy, windy or stormy conditions, especially lightning storms. Please remove your canopy top before a storm.
2. Keep your canopy off of steep slopes and inclines
3. Have at least two adults during installation. Read all instructions carefully and follow accordingly. Failure to do so may result to injury or damage to the canopy.
4. Always inspect the canopy and each part before use. Make sure that everything is tightly secured. Replace any worn, defective or missing parts.
5. After installation, the canopy should be anchored to prevent damage and possible injury. It is the user's responsibility to properly anchor the product.
6. Do not set-up or use the product in close distance to fire or any heat source. Do not use a barbecue grill under the canopy.
7. Do not use the canopy as a permanent shelter. It is designed for temporary use only!
8. Do not bleach canopy cover, dry clean or wash in the washing machine or dry in the dryer. Use only mild soap and water.

## ACCESSORIES



To enhance your experience with your Caravan® Canopy, optional accessories are available.

- Full enclosure with dual-zipper front wall.
- Heavy-duty anchor system.

\* Must be purchased separately.

## LIMITED WARRANTY

Caravan® Canopy Int'l warrants that each part of this product will be free from defects in material and workmanship for a 1 year limited period from date of purchase. This warranty is void:

- If product is used under other than normal use and maintenance conditions.
- If the product is modified or altered.
- If product is subject to abuse or neglect.
- If product damage is accidental or deliberate or caused by rain, wind, snow/ice or other forces of nature.
- If product use does not conform to product instructions.
- If product is repaired by someone other than Caravan® Canopy Int'l or its authorized representative.

The sole obligation of Caravan® Canopy Int'l under this warranty or any other legal obligation, with respect to the product, is repair or replacement, by Caravan® Canopy Int'l or its authorized representative, of the missing or defective parts causing malfunction with new parts after review and examination by Caravan® Canopy Int'l.

Under no circumstances will the retail customer, user, authorized representative or other person be entitled to any direct, special, indirect, consequential or exemplary damages for breach of contract or otherwise. Under no circumstances will any person be entitled to a sum greater than purchase price of the malfunctioning part.

No Caravan® Canopy Int'l authorized representative or person other than an officer of Caravan® Canopy Int'l may extend or modify this warranty. There are no other warranties from either Caravan® Canopy Int'l or its representatives which extend the face of this warranty. All other warranties, expressed or implied, including the warranties of merchantability, fitness for a particular purpose and fitness for use are excluded.

Please contact Caravan® Canopy Int'l for specific shipping instructions before returning any part. All shipping costs must be prepaid. Caravan® Canopy Int'l will not be responsible for any products damaged in transit.

This product is covered under one or more of the following patents: US 7,207,344; US 6,868,858; US 7,240,686; US 7,395,830; US 7,240,685; US 7,380,563; US 7,360,549; US 5,794,640; US 5,944,040; US 6,152,157; US 6,478,039; US 6,575,656; US 7,308,901; US 7,025,075; US 7,311,113; CA 2455021; GB 2398346; AU 2004203308; CA 2475232; CN 10070286; GB 2404932; CA 2441567; AU 2002247358; CA 2447952; GB 2392459; GB 2406107; GB 241004; GB 2410962; MX 258677; MX 253095; MX 255037; MX 257982; MX 260203.

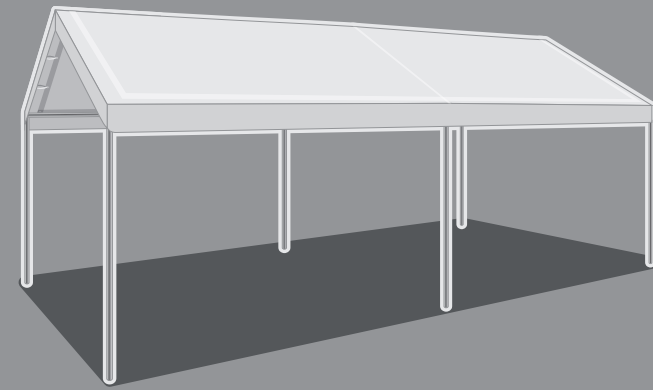
Other US and foreign patents pending.

Manufactured under license to U.S. Patent No. 5,244,001  
Copyright © 2009 Caravan® Int'l, Inc. All Rights Reserved.



14600 Alondra Blvd La Mirada, CA 90638  
877-9-CANOPY • 714-367-3000  
Fax 714-367-3050 • [www.caravancanopy.com](http://www.caravancanopy.com)

rev.03.09



**10ft x 20ft**  
**3m x 6m**  
**6 LEG FRAME**

## INSTALLATION INSTRUCTIONS

Please read instructions **COMPLETELY** before assembly.



**DO NOT RETURN PRODUCT TO THE STORE**  
Missing parts, replacement parts, or assembly help, please contact customer service:  
**714-367-3000 or 877-922-6679**

## WARNING!

Use Caution during installation. Safety goggles are recommended. Please read the instructions carefully before installation. This is only a **TEMPORARY** shelter and is not recommended for permanent use.

Keep all flame and heat sources away from this canopy top fabric.

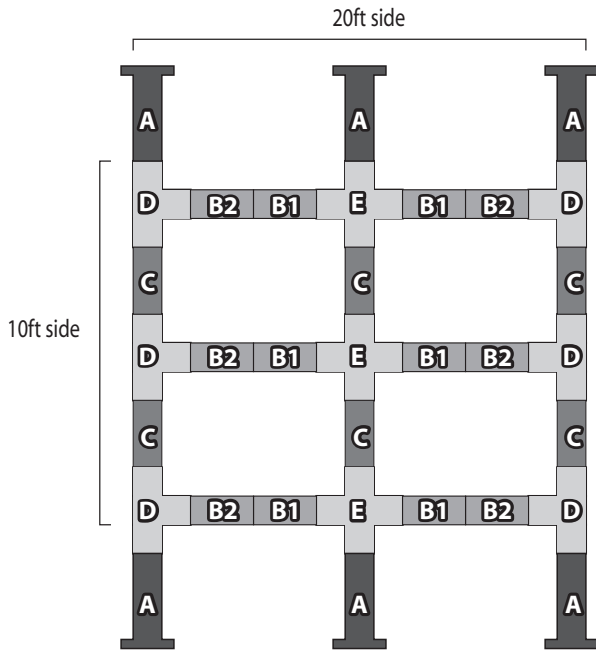
Do not set-up or leave the canopy unattended in the following conditions: gusty wind, rain, hail, sleet, snow, drizzle, or any other harsh weather conditions. Doing so may cause damage to the entire canopy and will void the warranty. Please call Caravan® Canopy for any questions or inquiries



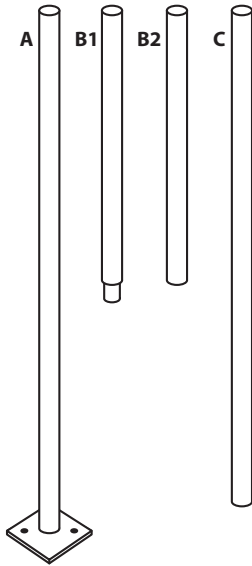
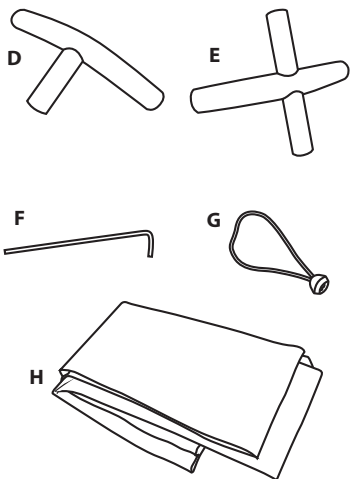
14600 Alondra Blvd La Mirada, CA 90638  
877-9-CANOPY • 714-367-3000  
Fax 714-367-3050 • [www.caravancanopy.com](http://www.caravancanopy.com)

## STEP 1 LAYOUT ALL PARTS

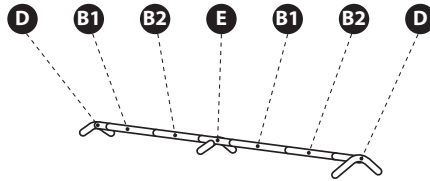
Layout all parts by following the diagram below to make assembly easier.



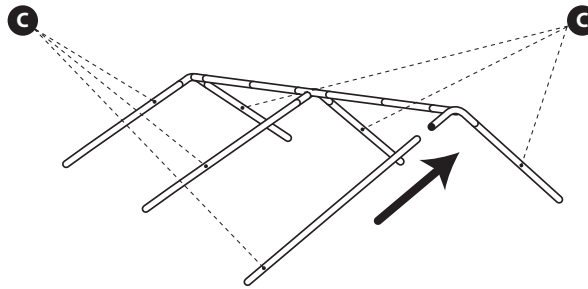
Guide	Description	Qty
A	Domain Leg with Welded Feet	6
B1	Domain Cross Brace Pole	6
B2	Domain Cross Brace Pole	6
C	Domain Peak Brace Pole	6
D	Domain 3-Way Corner Bracket	6
E	Domain 4-Way Corner Bracket	3
F	Domain Steel Pegs	12
G	Domain Elastic Ball Strap	28
H	Domain Canopy Top	1



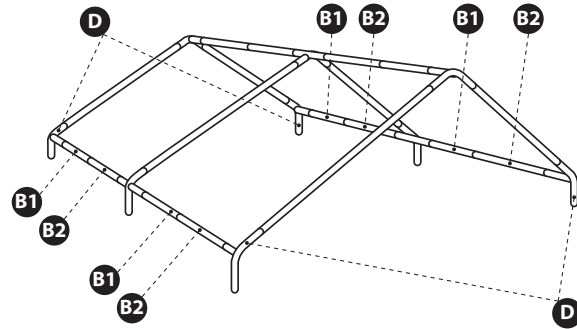
## STEP 2 COMBINE THE CENTERPIECE



## STEP 3 CONNECT SIDES TO CENTERPIECE

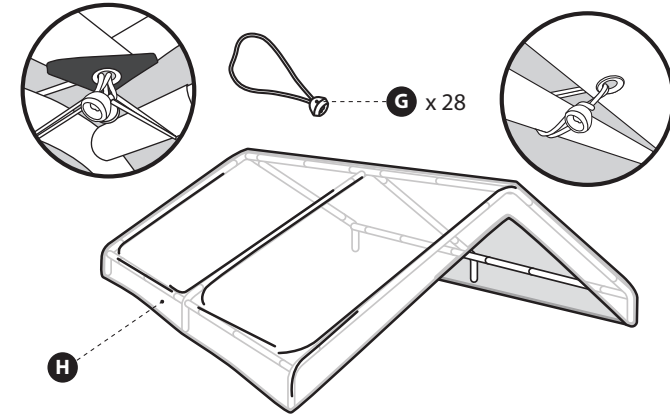


## STEP 4 CONNECT CORNERS



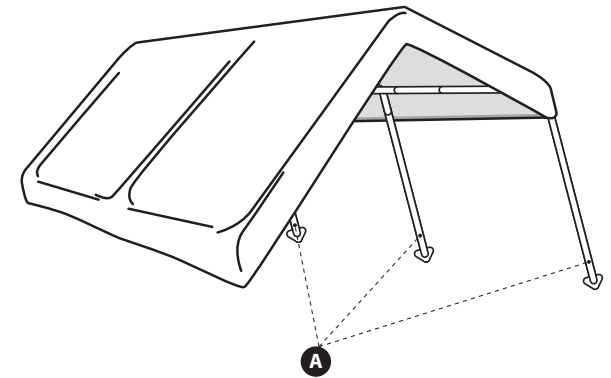
## STEP 5 PLACE CANOPY TOP

Secure each corner with the elastic ball straps. Then secure all other grommet points with the remaining ball straps.



## STEP 6 CONNECT LEGS

Start with one side first, then the other.



## STEP 7 SECURE CANOPY

Attach the included steel pegs for additional stability.

